



SPECIAL APPLICATION GAUGES

C-1706 Ammonia Refrigerant Gauges

DESCRIPTION

2-1/2" and 3-1/2" steel case gauges are usually installed in ammonia refrigeration systems. These C-1706 compound gauges can also be used to handle other chemicals not injurious to wetted parts. The silicone dampened movement greatly extends gauge life, particularly on tough services like ammonia compressors. Temperature equivalent scale in red provides easy analysis of refrigeration systems.

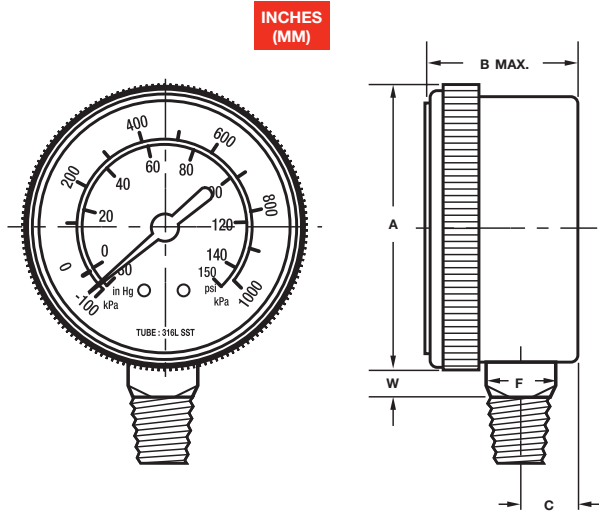


Model C-1706

SPECIFICATIONS

- SIZES:** 2-1/2", 3-1/2"
- RANGES:** 30" Hg VAC, 0-150 psi; 30" Hg VAC, 0-300 psi
- ACCURACY:** ±3-2-3% of span (Grade B)
- BOURDON TUBE:** 316 stainless steel, soft soldered
- WINDOW:** Threaded, polycarbonate standard (photograph shown with optional steel ring)
- MOVEMENT:** Silicone treated brass movement
- DIAL:** Steel, white background with black markings; refrigerant temperature scale in red
- POINTER:** Aluminum, adjustable, black finish
- CASE:** Drawn steel, black corrosion-resistant paint
- CONNECTION:** 1/4-18 NPT, LM, nickel plated steel

| Spec Number Selection Chart | | |
|-----------------------------|--|--|
| Model C-1706 Gauges | | |
| Ranges | 2-1/2" 1/4-18 NPT Lower Mount Spec No. | 3-1/2" 1/4-18 NPT Lower Mount Spec No. |
| 30-0-150 and °F | 034272A | 034275A |
| 30-0-300 and °F | 034273A | 034276A |



| Dimensions | | | | | | |
|------------|--------------|--------------|--------------|--------------|--------------|--------------|
| Dial Size | Unit | ØA | B Max. | C | F | W |
| 2-1/2" | inches mm | 2.84 72.1 | 1.20 30.5 | 0.42 10.7 | 0.55 14.0 | 0.21 5.3 |
| 3-1/2" | inches mm | 3.85 97.8 | 1.24 31.5 | 0.41 10.4 | 0.55 14.0 | 0.44 11.2 |